

## eAMBIT106

### CABINET LOUDSPEAKERS

#### *Surface Mount Loudspeakers*



#### PRODUCT OVERVIEW

eAMBIT106 is an ultra-compact 2-way coaxial loudspeaker cabinet with neutral and discreet design. It mounts a 6.5" woofer and 1" tweeter. It is especially suitable for background music reinforcement in retail shops, restaurants, cafés, corporate premises and education rooms.

#### KEY FEATURES

- ABS 2-way, 50 WRMS architectural loudspeaker
- 6,5" woofer / 1" tweeter
- Built-in audio transformer for 100V applications
- 8 ohms and 70/100V operation selector
- Includes on-wall hardware, safety sling, screws and wrench for fast installation
- Available in black and white colours
- Spring loaded input terminals
- IP54 rated
- Anti UV cabinet avoids colour degradation in case of direct sunlight exposition
- EASE Win file available



#### APPLICATIONS

- Shopping centers
- Retail shops
- PA distributed sound systems
- Clubs, Cafes, Bars  
foreground/background reinforcement
- Health and sports centers
- Meeting and conference rooms

TECHNICAL SPECIFICATIONS

eAMBIT106

System	
Effective frequency range <sup>1</sup>	110Hz - 20kHz
Coverage angle <sup>2</sup>	120°x120° (HxV)
Power handling	50 W RMS / 200 W Peak
Sensitivity <sup>3</sup>	93 dB (1W/1m)
Maximum SPL <sup>4</sup>	110 dB continuous / 116 dB peak
Power options	70/100V: 30W / 15W / 7,5W / 5W / 8Ω
Recommended amplifier power	100 W RMS
Transducers	
Ways	2
Low frequency driver	6,5" woofer
High frequency driver	1 tweeter"
Nominal impedance	8Ω
Physical	
Connection type	Spring loaded input terminals
Environmental	IP54 rated
Mounting system	Cabinet
Included accessories	Includes on-wall hardware, safety sling, screws and wrench for fast installation
Finished colour	White (RAL 9016) or black (RAL 9005)
Dimensions (WxHxD)	Without accessories: 210 x 210 x 160 mm / 8.27 x 8.27 x 6.30 in.
Weight	2.75 kg / 6.06 lb

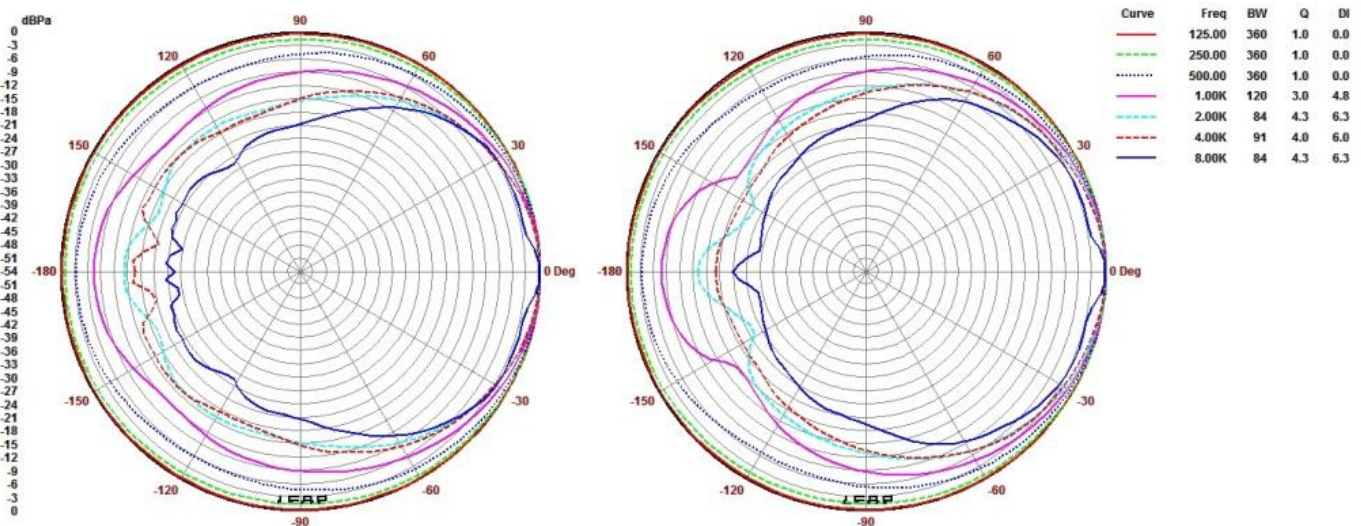
<sup>1</sup>3dB below the sound pressure level at specified sensitivity

<sup>2</sup>6dB below the sound pressure level than that at the direction of maximum level, Max. angle between 1 kHz and 4 kHz.

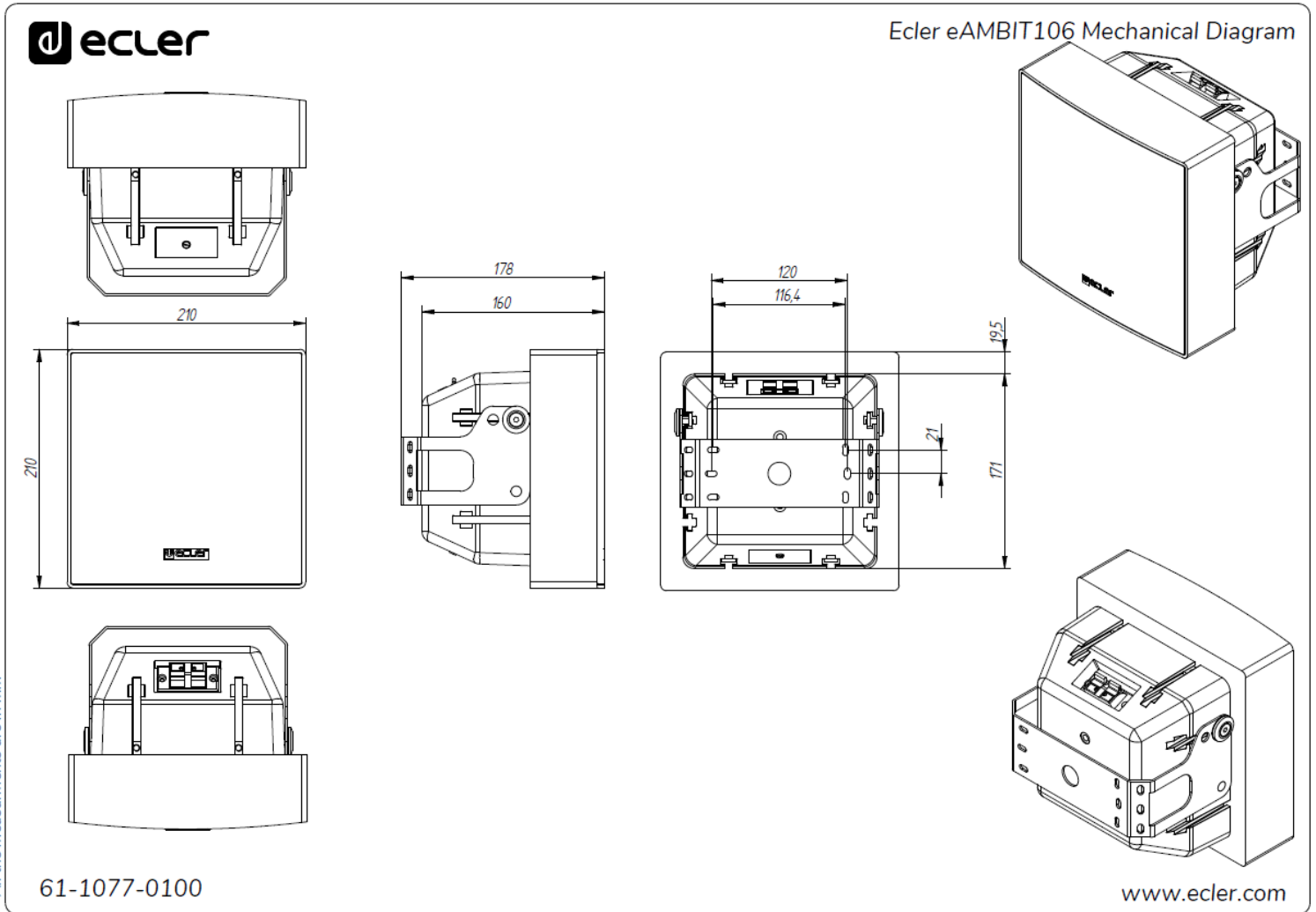
<sup>3</sup>Measured on-axis, far field and referenced to 1 meter by inverse square law. Average from 100 Hz to 10 kHz.

<sup>4</sup>Calculated from sensitivity and power handling specifications, exclusive of power compression

POLAR DIAGRAMS



MECHANICAL DIAGRAMS



All product characteristics are subject to variation due to production tolerances. **NEEC AUDIO BARCELONA S.L.** reserves the right to make changes or improvements in the design or manufacturing that may affect these product specifications.

For technical requests address to your supplier, distributor or fill the contact form in our website, at [Support / Technical Request](#).

Motors, 166-168 08038 Barcelona - Spain - (+34) 932238403 | [information@ecler.com](mailto:information@ecler.com) | [www.ecler.com](http://www.ecler.com)