

eHSA2-150 / eHSA4-150

HIGH IMPEDANCE AMPLIFIERS

Multichannel Amplifier



USER MANUAL

INDEX

1. IMPORTANT REMARK	3
2. IMPORTANT SAFETY INSTRUCTIONS	3
3. IMPORTANT NOTE.....	5
4. INTRODUCTION.....	5
4.1 <i>Main features</i>	5
5. INSTALLATION	6
5.1 <i>Placement, mounting, cooling</i>	6
5.2 <i>Mains connection</i>	6
5.3 <i>Input signal connections</i>	7
5.4 <i>Power saving mode</i>	7
5.5 <i>Limiter circuit</i>	7
5.6 <i>Output connections</i>	8
6. OPERATION AND USAGE.....	8
6.1 <i>Start up</i>	8
6.2 <i>Input attenuators</i>	8
6.3 <i>Indicators</i>	9
7. CLEANING.....	9
8. FUNCTION DIAGRAM.....	10
9. FUNCTION LIST	10
10. TECHNICAL CHARACTERISTICS.....	11
11. BLOCK DIAGRAM.....	12

1. IMPORTANT REMARK




WARNING: SHOCK HAZARD - DO NOT OPEN
AVIS: RISQUE DE CHOC ÉLECTRIQUE - NE PAS OUVRIR



The lightning flash with arrowhead symbol, within an equilateral triangle, is intended to alert the user to the presence of uninsulated “dangerous voltage” within the product’s enclosure that may be of sufficient magnitude to constitute a risk of electric shock to persons.



The exclamation point within an equilateral triangle is intended to alert the user to the presence of important operating and maintenance (servicing) instructions in the literature accompanying the appliance.

WARNING (If applicable): The terminals marked with symbol of “” may be of sufficient magnitude to constitute a risk of electric shock. The external wiring connected to the terminals requires installation by an instructed person or the use of ready-made leads or cords.

WARNING: To prevent fire or shock hazard, do not expose this equipment to rain or moisture.

WARNING: An apparatus with Class I construction shall be connected to a mains socket-outlet with a protective earthing connection.

2. IMPORTANT SAFETY INSTRUCTIONS

1. Read these instructions.
2. Keep these instructions.
3. Heed all warnings.
4. Follow all instructions.
5. Do not use this apparatus near water.
6. Clean only with dry cloth.
7. Do not block any ventilation openings. Install in accordance with the manufacturer’s instructions.

8. Do not install near any heat sources such as radiators, heat registers, stoves, or other apparatus (including amplifiers) that produce heat.
9. Do not defeat the safety purpose of the polarized or grounding type plug. A polarized plug has two blades with one wider than the other. A grounding type plug has two blades and a third grounding prong. The wide blade or the third prong are provided for your safety. If the provided plug does not fit into your outlet, consult an electrician for replacement of the obsolete outlet.
10. Protect the power cord from being walked on or pinched particularly at the plugs, convenience receptacles, and at the point where they exit from the apparatus.
11. Only use attachments/accessories specified by the manufacturer.
12. Unplug the apparatus during lightning sorts or when unused for long periods of time.
13. Refer all servicing to qualified personnel. Servicing is required when the apparatus has been damaged in any way, such as power supply cord or plug is damaged, liquid has been spilled or objects have fallen into the apparatus, the apparatus has been exposed to rain or moisture, does not operate normally, or has been dropped.
14. Disconnecting from mains: Switching off the POWER switch all the functions and light indicators of the amplifier will be stopped, but fully disconnecting the device from mains is done unplugging the power cord from the mains input socket. For this reason, it always shall remain readily operable.
15. Equipment is connected to a socket-outlet with earthing connection by means of a power cord.
16. The marking information is located at the bottom of apparatus.
17. The apparatus shall not be exposed to dripping or splashing and that no objects filled with liquids, such as vases, shall be placed on apparatus.

NOTE: *This equipment has been tested and found to comply with the limits for a Class A digital device, pursuant to part 15 of the FCC Rules. These limits are designed to provide reasonable protection against harmful interference when the equipment is operated in a commercial environment. This equipment generates, uses, and can radiate radio frequency energy and, if not installed and used in accordance with the instruction manual, may cause harmful interference to radio communications. Operation of this equipment in a residential area is likely to cause harmful interference in which case the user will be required to correct the interference at his own expense.*



WARNING: This product must not be discarded, under any circumstance, as unsorted urban waste. Take to the nearest electrical and electronic waste treatment centre.

NEEC AUDIO BARCELONA, S.L. accepts no liability for any damage that may be caused to people, animal or objects due to failure to comply with the warnings above.

3. IMPORTANT NOTE

Thank you for choosing our Ecler **eHSA multichannel amplifier!**

It is **VERY IMPORTANT** to carefully read this manual and to fully understand its contents before any connection in order to maximize your use and get the best performance from this equipment.

To ensure optimal operation of this device, we strongly recommend that its maintenance be carried out by our authorised Technical Services.

All ECLER products are covered by warranty, please refer to www.ecler.com or the warranty card included with this product for the period of validity and conditions.

4. INTRODUCTION

The eHSA amplifier series offers the renowned professional reliability of Ecler amplifiers at an affordable price. It consists of 2 models: one with a power of 2 x 150W RMS @ 70/100V, high impedance (eHSA2-150) and a second one with a power of 4 x 150W RMS 70/100V, high impedance (eHSA4-150). All models use very high-performance technology, auto standby and convection cooling, with a height of 1 rack unit.

Equipped with balanced inputs on Euroblock connectors. Outputs also feature Euroblock connectors. It has an electronic limitation system to avoid signal saturation and a thermal protection, as well as a protection system against overload.

4.1 Main features

- Easily accessible input attenuation controls on the front panel.
- Switchable auto standby circuit (energy saving mode when there is no input signal)
- Signal presence (SP), clipping (CLIP), protection against overload (PROT) and thermal protection (TH) indicators.
- Built-in, always active anticlip circuit
- Operating mode selector: STEREO, MONO
- Balanced inputs on Euroblock connectors
- Outputs on Euroblock connectors
- Accepts high impedance loads on 70/100V line

5. INSTALLATION

Non-compliance with the instructions may cause malfunction and may even damage the unit:

- 1. Avoid turning on the device without speakers connected to its outputs and without having previously adjusted the volume / gain controls at minimum level.**
- 2. Always use shielded cables to make connections between devices.**
- 3. In an amplifier, avoid placing the speaker output cables close to other signal cables (micro, line...). This may cause the system to oscillate, damaging the amplifier and speakers.**

5.1 Placement, mounting, cooling

All eHSA amplifiers are presented in standard 19" rack format and are 1 unit high.

It is important that the amplifier, as a heat source, is not placed next to other equipment nor exposed to high temperatures.



CAUTION: The built-in convection cooling requires at least one free rack unit (empty space) both above and below each amplifier to ensure a correct air flow.

It is also advisable not to rack the power amplifiers under other devices, but on top of these, that is to say as high as possible toward the top of the rack cabinet.

5.2 Mains connection

The eHSA amplifiers are powered by 100 to 250VAC, 50/60Hz.

The mains cables must not be near the shielded cables carrying the audio signal, as this could cause humming.

In order to protect the power amplifier from eventual power consumption overloads, it is protected by a set of fuses. Should a fuse blow, it must be replaced immediately by one with identical rating. Should it blow again please contact our Technical Service Department. **NEVER REPLACE THE FUSE WITH ANOTHER ONE WITH A HIGHER VALUE.**



CAUTION: Fuse substitutions have to be performed by a qualified technician.

5.3 Input signal connections

The signal input connectors are of EUROBLOCK (12, 13) and electronically balanced. The pin assignment is as follows:

- Hot or direct signal > +
- Cold or phase inverted signal > -
- Ground > Ground

For unbalanced connections, ground the negative terminal on the Euroblock.

In balanced mode, the input impedance is greater than 20k Ω (10k Ω unbalanced), allowing you to connect a large number of stages in parallel without compromising the sound quality.

5.4 Power saving mode

The AUTO STBY (10) switch allows to activate the automatic switching circuit calling the power saving mode (low power consumption) when it detects no audio signal from the unit's inputs during more than 90 seconds, and automatically recovering normal operation when that signal reappears

5.5 Limiter circuit

This is an extra protection always enabled in the eHSA series amplifiers. This circuit dynamically limits the input signal to avoid clipping of loud signals at the amplifier output; it automatically reduces the input level not to exceed approximately 5% distortion.

The great utility of this circuit in any type of installation should be noted; the advantage of this system over traditional compressors is that dynamics is practically not altered, due to its time constant.

5.6 Output connections

The output section on the rear panel features Euroblock connectors (15, 16).

The loudspeakers line has to be connected to the amplifier's 0V and 70V terminals (70V line) or 0V and 100V terminals (100V line).

In STEREO mode, each channel takes the signal from its corresponding input (OUTPUT CH1 from INPUT CH1, OUTPUT CH2 from INPUT CH2 etc.). In MONO mode, the signal is taken from the odd input only.

The connection cable that joins the amplifiers outputs and the loudspeakers must be of good quality, sufficient section and as short as possible. This is most important when the distances to cover are long ones.

6. OPERATION AND USAGE

6.1 Start up

The red "PROT" LEDs (7) light up when you turn on the power switch (11). A second after all voltages have been stabilized and the amplifier is operating, "PROT" indicators turn off.

In a complete audio installation, it is important to power on the equipment according to the following sequence: sound sources (microphones, music players, etc.), mixers, equalizers, active filters and power amplifiers. To power off, follow the reverse sequence.

6.2 Input attenuators

This consists of rotating potentiometers, situated on the front panel (5, 6).

These attenuators allow connecting the amplifier to different types of mixers and processors, independent level control and connection of speakers that can't handle the wattage supplied by the output stage at full power, without risking damage if the volume of the preamplifier-mixer is set too high.

6.3 Indicators

eHSA amplifiers include a simple yet effective indication system.

PROT/STBY indicators (7) show the absence of loudspeaker output signal. These indicators may light up for following reasons:

- During start-up, until the STANDBY time has passed. This time period is needed for the internal operating voltages to settle.
- A short circuit is detected at the loudspeaker terminals (PROTECT function).
- When the module enters AUTO-STANDBY mode. In this case, the indicator will illuminate in orange instead of red.

If these indicators remain lit in red, there's a malfunction that should be investigated to find the cause of this lighting.

CLIP (2, 4) indicators light up when the signal level feeding the loudspeakers is just below the actual clipping. This CLIP system takes into account possible variations in the supply voltage, always giving a real indication. CLIP indicators light up to the beat of low frequencies when working at high power levels ; it's normal as low frequencies are those with higher energy content. You must take care that these indicators do not remain continuously lit.

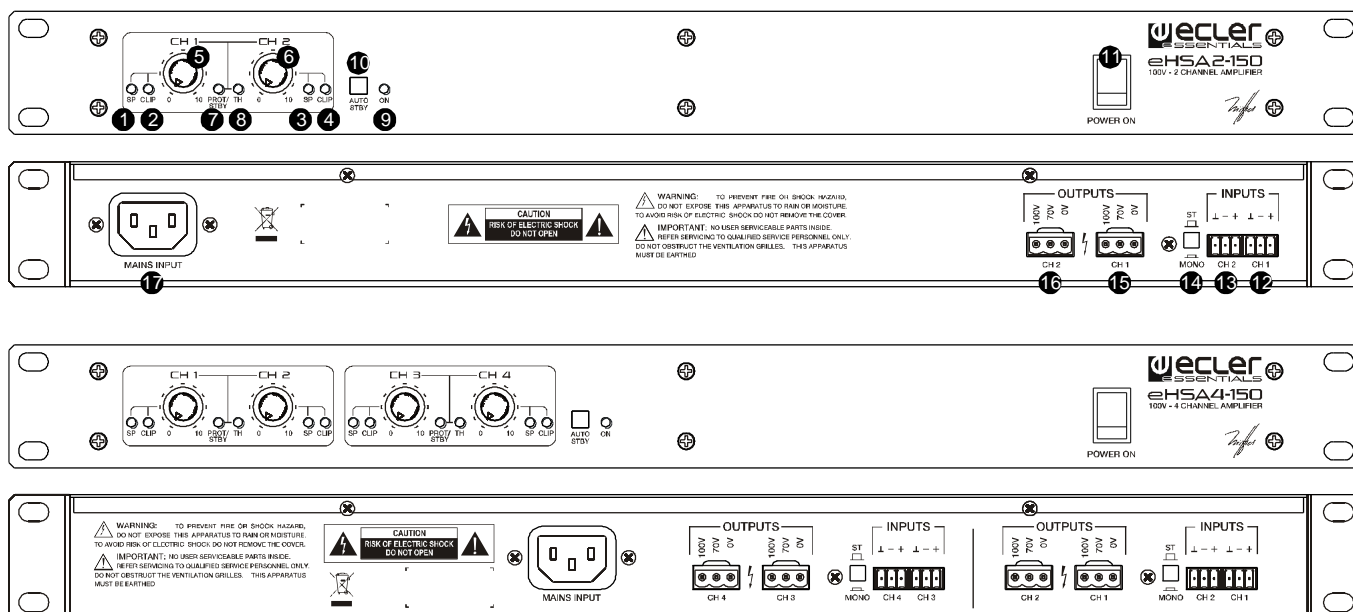
SP Signal Presence indicators (1, 3) indicate the presence of a valid signal at the amplifier inputs.

The TH (THERMAL) (8) indicator lights when the unit has entered the protection mode due to excessive temperature; normal operation is recovered when the amplifier internal temperature comes back down to regular operating levels.

7. CLEANING

The front panel should not be cleaned with dissolvent or abrasive substances because silk-printing could be damaged. To clean it, use a soft cloth slightly wet with water and neutral liquid soap; dry it with a clean cloth. Be careful that water never gets into the amplifier through the holes of the front panel.

8. FUNCTION DIAGRAM



9. FUNCTION LIST

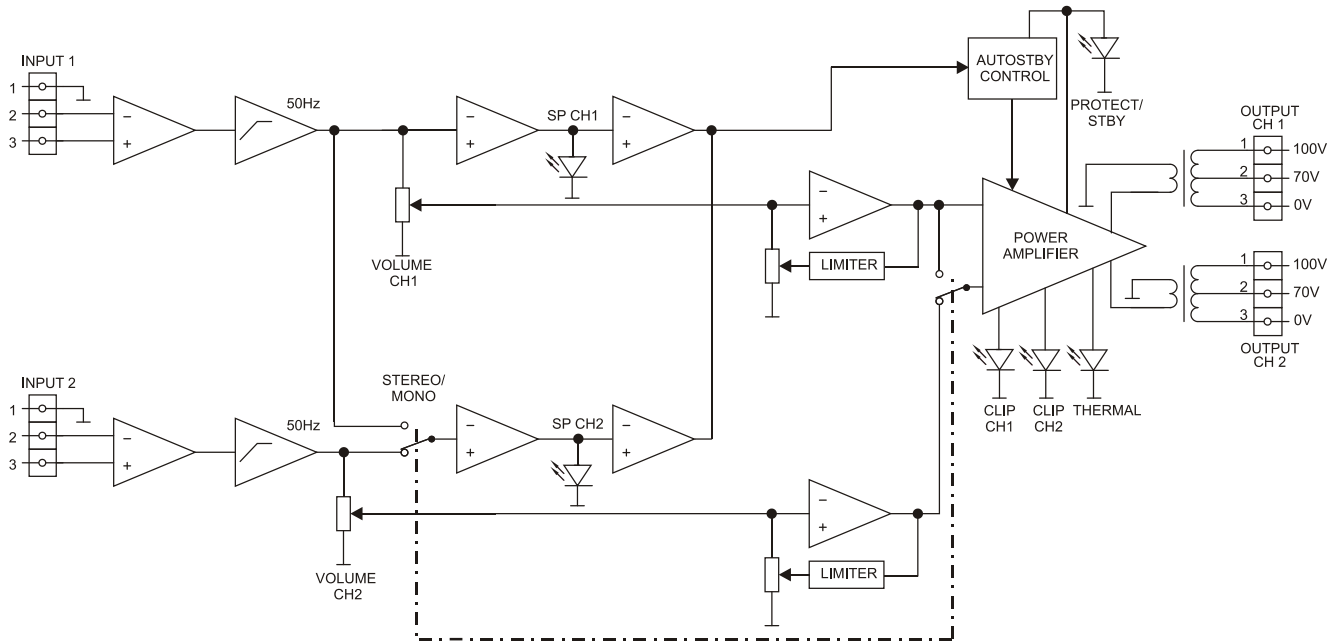
1. SP, signal presence indicator at the CH 1 input
2. CLIP, clipping indicator for CH 1
3. SP, signal presence indicator at the CH 2 input
4. CLIP, clipping indicator for CH 2
5. CH 1 input attenuator
6. CH 2 input attenuator
7. PROT/STBY, overload protection and Standby status indicator
8. TH, thermal protection indicator
9. ON power indicator
10. AUTO STANDBY switch
11. Power switch
12. CH 1, input 1 Euroblock connector
13. CH 2, input 2 Euroblock connector
14. STEREO, MONO selector
15. CH 1, output 1 Euroblock connector (70/100V)
16. CH 2, output 2 Euroblock connector (70/100V)
17. AC socket connector

NOTE: Listed functions are for two-channel models; for models with more than two channels, the number of these functions matches the number of amplifier channels.

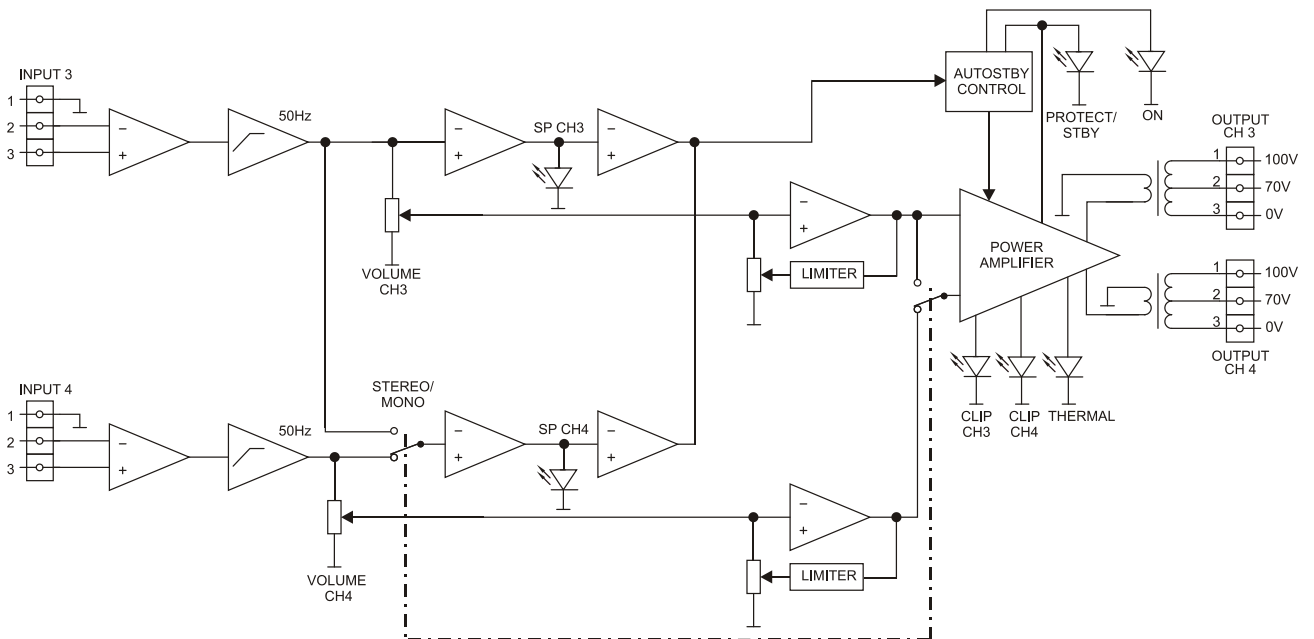
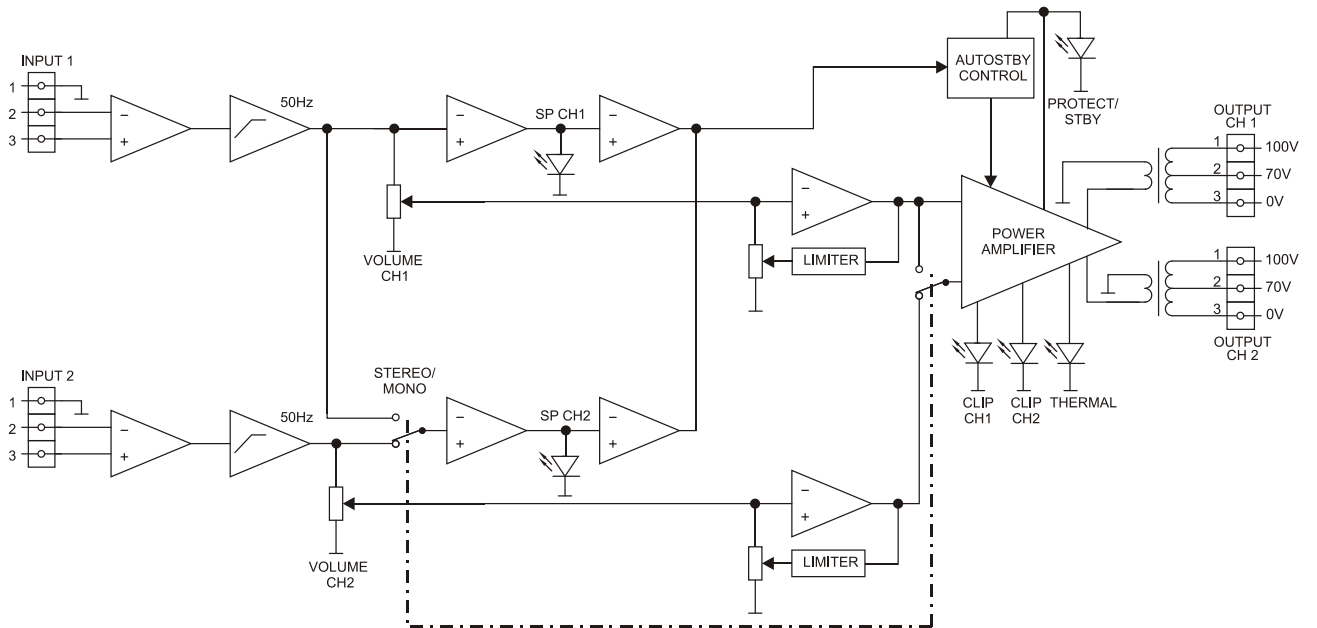
10. TECHNICAL CHARACTERISTICS

	eHSA2-150	eHSA4-150
POWER @ 1kHz 1% THD		
100V output		
1 Channel @ 66Ω	145 WRMS	145 WRMS
All Channels @ 66Ω	142 WRMS	140 WRMS
Frequency response (-1dB, -3dB)	20Hz - 30kHz	20Hz -30kHz
Filter (High-Pass) 3rd order Butterworth	50Hz	50Hz
THD+Noise @ 1kHz Full Pwr.	<0.05%	<0.05%
S+N/N 20Hz - 20kHz @ 1W/4Ω	>85dB	>85dB
CMRR	>55dB	>55dB
Damping factor 1kHz @ 8Ω	>150	>150
Channel crosstalk @ 1kHz	>55dB	>55dB
Input Sensitivity / Impedance	0dBV/>20kΩ	0dBV/>20kΩ
Anti-clip @ 2dBV input	<1% THD	<1% THD
Mains Voltage	100-240VAC	100-240VAC
Power consumption (pink noise, 1/8 power @ 4Ω)	63W / 74VA	113W / 130VA
Power consumption (pink noise, 1/3 power @ 4Ω)	139W	268W
Power consumption (Idle)	19W	29W
Power consumption (STBY)	13W	18W
Efficiency @ Pmax	77%	80%
Dimensions WxHxD (Handle excluded)	440x44x221mm	440x44x360mm
Weight	6.05kg	10.5kg

11. BLOCK DIAGRAM



eHSA2-150



eHSA4-150



All product characteristics are subject to variation due to production tolerances. **NEEC AUDIO BARCELONA S.L.** reserves the right to make changes or improvements in the design or manufacturing that may affect these product specifications.

For technical queries contact your supplier, distributor or complete the contact form on our website, in [Support / Technical requests](#).

Motors, 166-168 08038 Barcelona - Spain - (+34) 932238403 | information@ecler.com | www.ecler.com