

ePRS20Ti

SPECIALIZED LOUDSPEAKERS

Sound projector



PRODUCT OVERVIEW

ePRS20Ti is a 20W sound projector, carefully selected for the most widespread 70/100V applications: paging and background music. It offers durability and an optimal voice and music reproduction. It is made of reinforced ABS and IP55 certified, ideal for high performance outdoors.

KEY FEATURES

- Water-resistant ABS sound projector
- Power options @ 100V: 20W / 10W / 5W
- Power options @ 70V: 10W / 5W / 2.5W
- IP55 certified
- Connection by bare wire
- White colour (RAL 9016)

APPLICATIONS

- Commercial
- Corporate
- Leisure

TECHNICAL SPECIFICATIONS

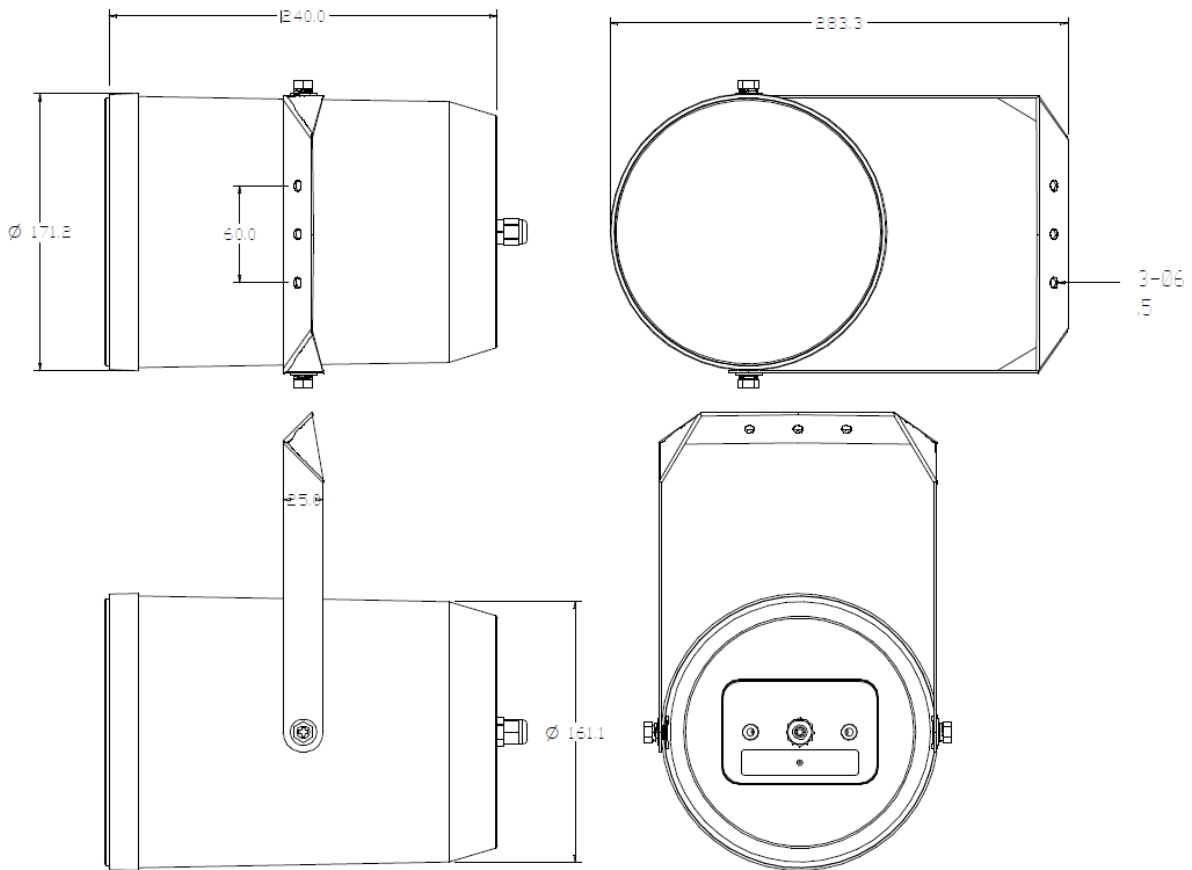
ePRS20Ti

Drivers	6.5"
Power options @ 100V	20W / 10W / 5W
Power options @ 70V	10W / 5W / 2,5W
Frequency response (-10dB)	170 Hz-19 kHz
Coverage angle	151°x151° (HxV)
Sensitivity 1W/1m	96 dB
IP rating	IP55 (IEC60529 Certified)
Finished color	White (RAL 9016)
Material	ABS + Aluminum grill
Operating and storage conditions	Min -20°C (-4°F); Max +60°C (+140°F)
Cord length	350mm / 13.8"
Dimensions (Ø x L)	Ø 170 x 245mm / Ø 6.7" x 9.6"
Weight	1,8 kg. / 4.0 lb. (including accessories)

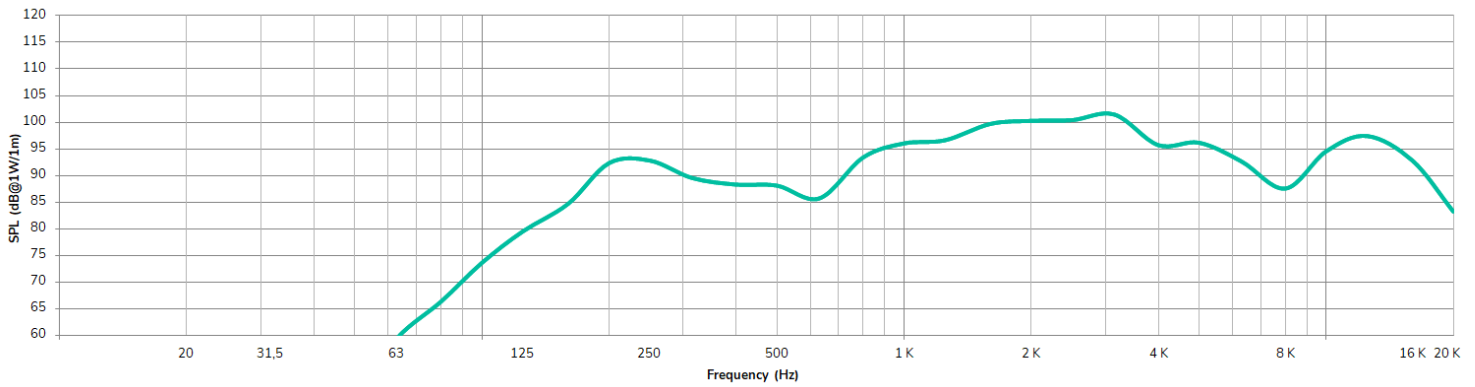
WIRING CODE

COLOR	@100V	@70V
RED	20W	10W
YELLOW	10W	5W
GREEN	5W	2,5W
BLUE	COM	COM

MECHANICAL DIAGRAMS

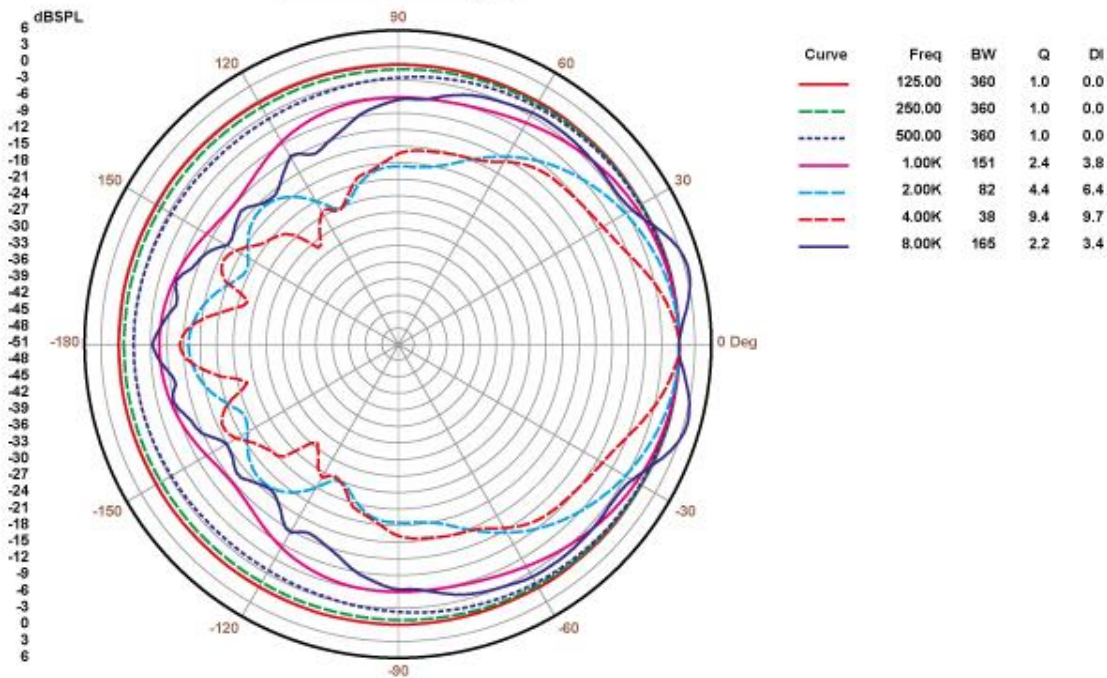


FREQUENCY RESPONSE DIAGRAMS



POLAR DIAGRAMS

SPL vs Angle



All product characteristics are subject to variation due to production tolerances. **NEEC AUDIO BARCELONA S.L.** reserves the right to make changes or improvements in the design or manufacturing that may affect these product specifications

For technical queries contact your supplier, distributor or complete the contact form on our website, in [Support / Technical requests](#).

Motors, 166-168 08038 Barcelona - Spain - (+34) 932238403 | information@ecler.com | www.ecler.com